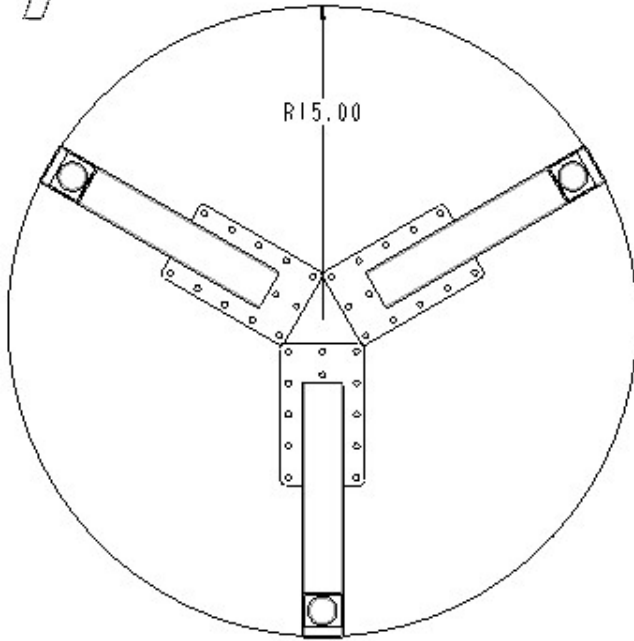
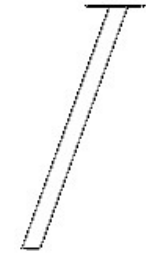


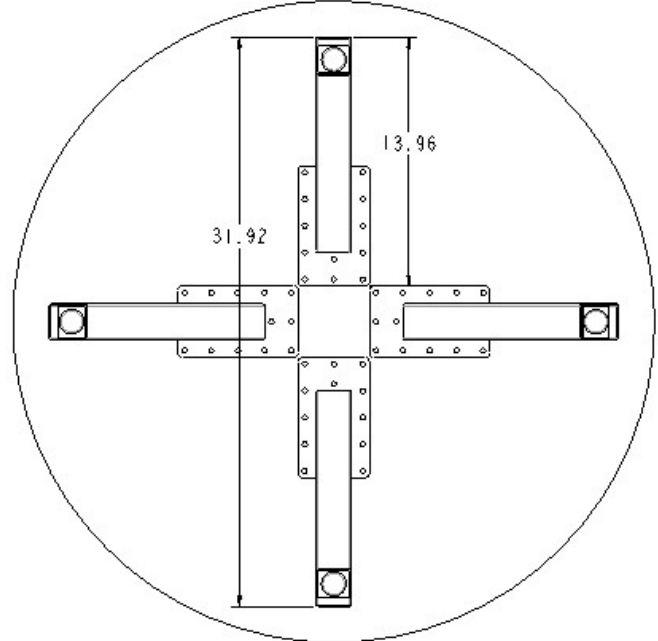
# SINGLE ANGLED LEG SERIES EXAMPLES

LEGS #1526 AND #2526

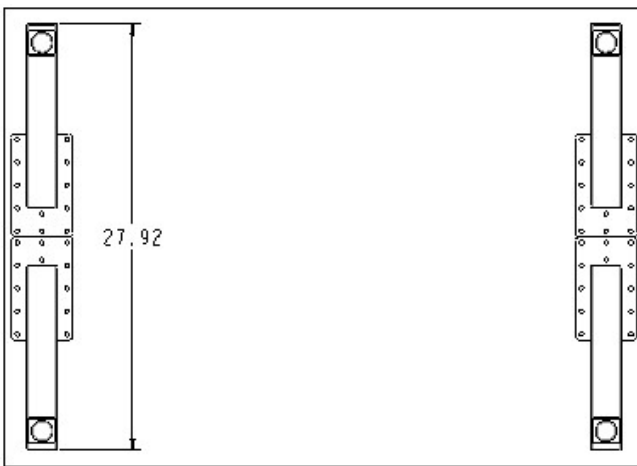
STABILITY TESTING TO BE DONE BY CUSTOMER



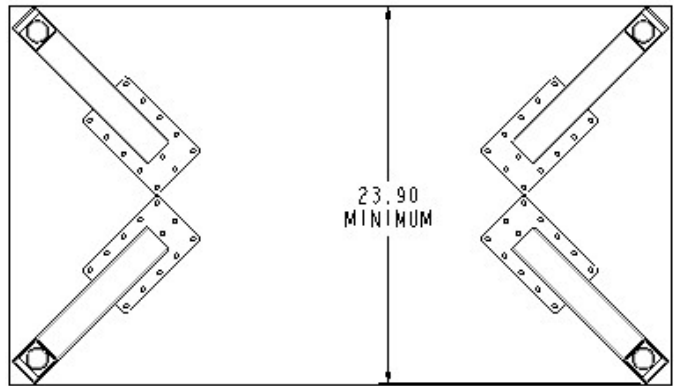
SUGGESTED MAXIMUM TOP OF 48" ROUND  
PLACE LEG CLOSEST TO EDGE FOR MAXIMUM STABILITY  
TOP SIZE SHOWN: 30"



SUGGESTED MAXIMUM TOP OF 60" ROUND  
TOP SIZE SHOWN: 36"



SUGGESTED MAX TOP OF 42" X 60"  
TOP SIZE SHOWN: 30 X 42"



SUGGESTED MAX TOP OF 42" X 60"  
TOP SIZE SHOWN: 24 X 42"