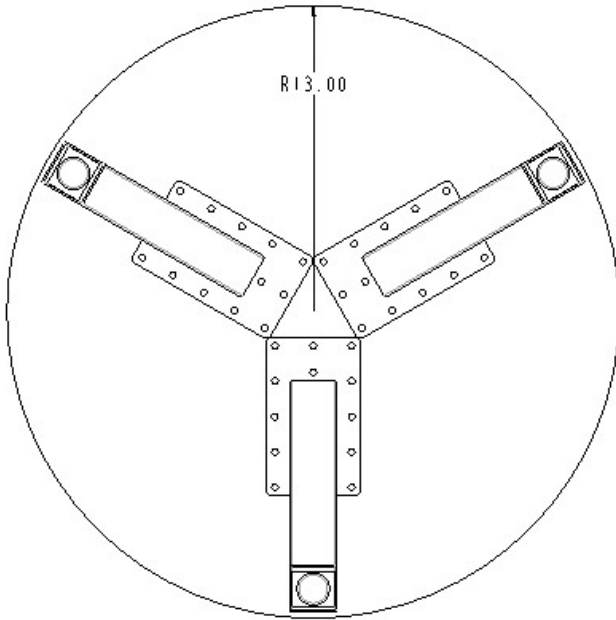




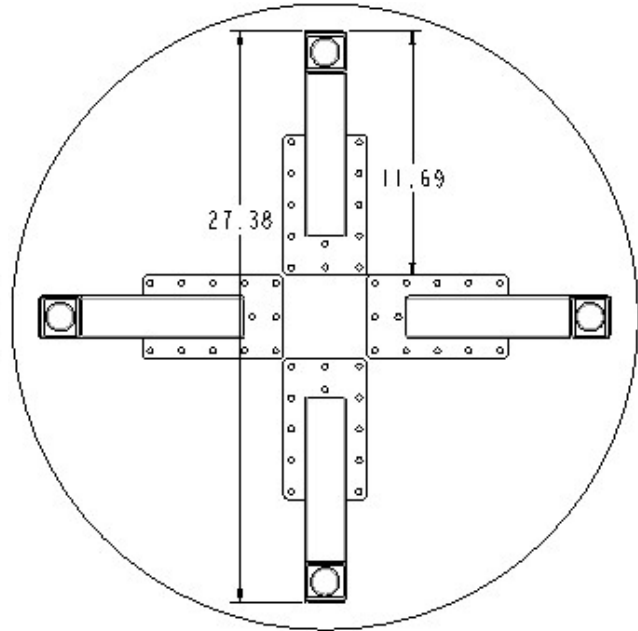
ANGLED BENT LEG SERIES EXAMPLES

LEGS #1530 AND #2530

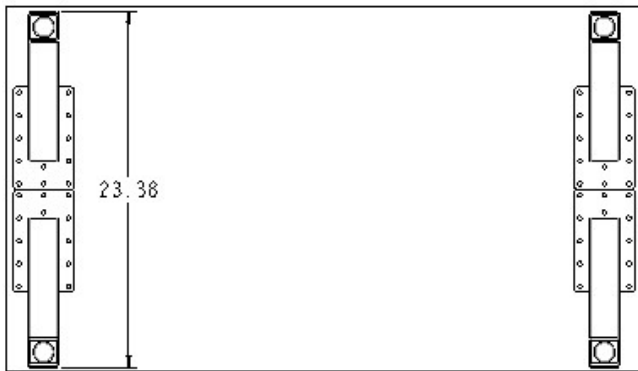
STABILITY TESTING TO BE DONE BY CUSTOMER



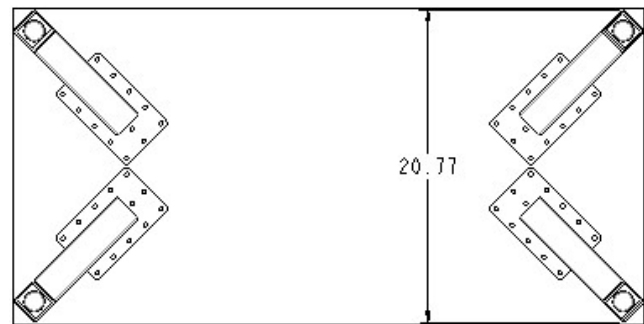
SUGGESTED MAXIMUM TOP OF 48" ROUND
PLACE LEG CLOSEST TO EDGE FOR MAXIMUM STABILITY
TOP SIZE SHOWN: 26"



SUGGESTED MAXIMUM TOP OF 60" ROUND
TOP SIZE SHOWN: 30"



SUGGESTED MAX TOP OF 42" X 60"
TOP SIZE SHOWN: 24 X 42"



SUGGESTED MAX TOP OF 42" X 60"
TOP SIZE SHOWN: 21 X 42"